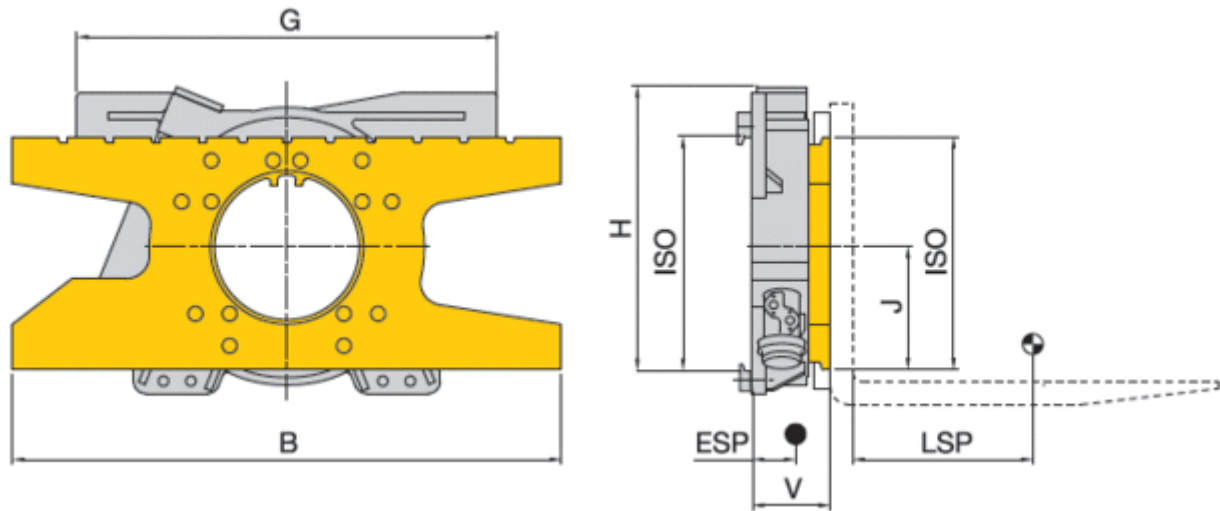


## Rotator 360°

1 hydraulic function



| Model       | Load capacity | LC (LSP) | ISO   | B    | G    | J   | H    | Torque<br>Dr=<br>140 bar | Required oil<br>volume per<br>revolution | V   | CoG (ESP) | Weight | Add. weight<br>per 100 mm width of<br>fork carriage |
|-------------|---------------|----------|-------|------|------|-----|------|--------------------------|--|-----|-----------|--------|---|
|             | kg            | mm       |       | mm   | mm   | mm  | mm   | Nm                       | Liter                                    | mm  | mm        | kg     | kg  |
| S8 - DE 18  | 1800          | 500      | 2     | 950  | 900  | 225 | 500  | 6900                     | 7  | 150 | 72        | 260    | 6,3   |
| S8 - DE 25  | 2500          | 500      | 2     | 1000 | 900  | 225 | 500  | 6900                     | 7  | 155 | 75        | 270    | 6,3   |
| S8 - DE 28  | 2800          | 500      | 3     | 1100 | 920  | 270 | 610  | 8200                     | 9  | 165 | 82        | 340    | 10,0  |
| S8 - DE 35  | 3500          | 500      | 3     | 1100 | 920  | 270 | 610  | 8200                     | 9  | 170 | 85        | 350    | 11,8  |
| S8 - DE 45  | 4500          | 500      | 3     | 1200 | 920  | 270 | 610  | 11500                    | 14                                       | 180 | 90        | 400    | 11,8  |
| S8 - DE 50  | 5000          | 600      | 4     | 1200 | 900  | 385 | 820  | 14900                    | 15,5                                     | 185 | 95        | 620    | 16,1  |
| S8 - DE 60  | 6000          | 600      | 4     | 1200 | 900  | 385 | 820  | 17100                    | 18                                       | 190 | 100       | 670    | 16,1  |
| S 8 - DE 80 | 8000          | 600      | 4     | 1200 | 900  | 380 | 910  | 20000                    | 21                                       | 220 | 115       | 890    | 18,1  |
| S 8 - DE100 | 10000         | 600      | 4     | 1200 | 900  | 380 | 910  | 21700                    | 23                                       | 225 | 120       | 970    | 18,1  |
| S 8 - DE120 | 12000         | 600      | Pint. | 1400 | 1100 | 550 | 1190 | 29500                    | 32                                       | 250 | 150       | 1580   | 34,0  |
| S 8 - DE150 | 15000         | 600      | Pint. | 1600 | 1100 | 550 | 1190 | 37500                    | 40                                       | 265 | 150       | 1680   | 39,0  |
| S 8 - DE180 | 18000         | 600      | Pint. | 1800 | 1280 | 640 | 1375 | 51000                    | 57                                       | 285 | 165       | 2250   | 47,0  |

- Surcharge for foundry version up to DE 45
- Surcharge for foundry version from DE 50 to DE 100
- Surcharge for fish-industry version on request.
- We recommend forks with reinforced lower hooks.

### Standard values for residual load capacity of lift trucks\*\*

| Rotators                 | S 8 - | DE 18 | DE 18 | DE 25 | DE 28 | DE 35 | DE 35 | DE 45 | DE 45    | DE 50 | DE 50 | DE 60 | DE 80 | DE 100 | DE 120 |
|--------------------------|-------|-------|-------|-------|-------|-------|-------|-------|----------|-------|-------|-------|-------|--------|--------|
| Load capacity lift truck | kg    | 1500  | 2000  | 2500  | 3000  | 3500  | 4000  | 4500  | 5000/500 | 5000  | 6000  | 7000  | 8000  | 10000  | 12000  |
| X*                       | mm    | 350   | 450   | 450   | 450   | 500   | 500   | 500   | 500      | 560   | 560   | 650   | 650   | 750    | 800    |

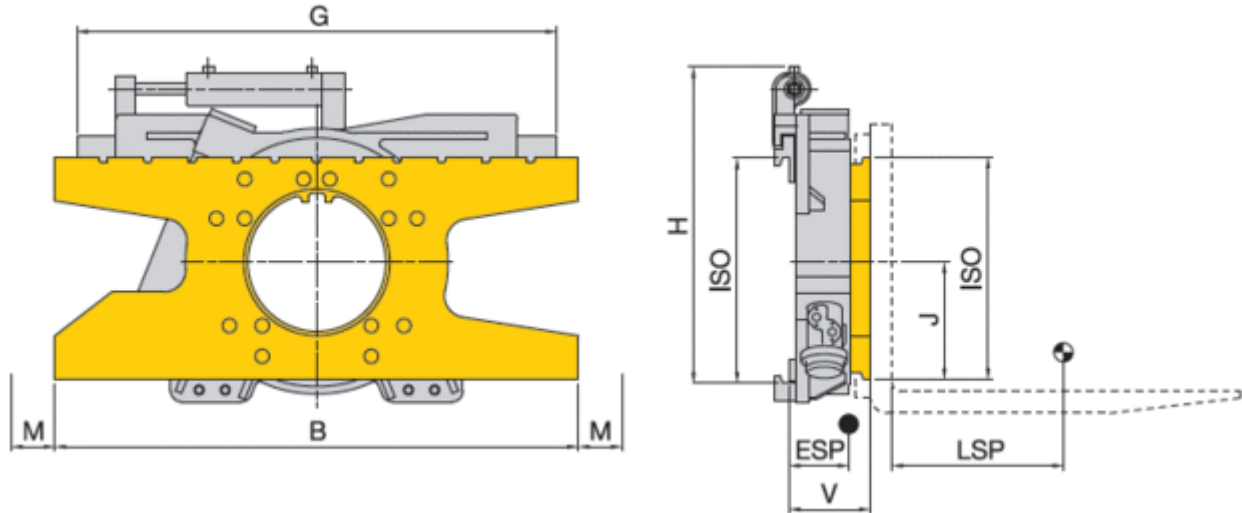
|                   |    |      |      |      |      |      |      |      |      |      |      |      |      |      |      |
|-------------------|----|------|------|------|------|------|------|------|------|------|------|------|------|------|------|
| LC (LSP) = 500 mm | kg | 1170 | 1600 | 2020 | 2400 | 2820 | 3250 | 3620 | 4050 |      |      |      |      |      |      |
| LC (LSP) = 600 mm | kg | 1060 | 1470 | 1850 | 2200 | 2600 | 3000 | 3340 | 3730 | 4020 | 4880 | 5780 | 6350 | 8020 | 9300 |
| LC (LSP) = 700 mm | kg | 980  | 1360 | 1710 | 2030 | 2410 | 2770 | 3100 | 3460 | 3740 | 4540 | 5400 | 5950 | 7550 | 8800 |

\*\* The load capacity applies to lifting heights up to 3300 mm; specifications for greater lifting heights on request.

\* Assumed dimensions

### Rotators 360° with Sideshift

2 hydraulic functions



| Model         | Load capacity | LC (LSP) | ISO | B    | G    | M   | J   | H   | Torque<br>Ap =<br>140 bar | Required oil<br>volume per<br>revolution | V   | CoG (ESP) | Weight | Surcharge per 100 mm<br>width of fork carriage |
|---------------|---------------|----------|-----|------|------|-----|-----|-----|---------------------------|--|-----|-----------|--------|--|
|               |               |          |     |      |      |     |     |     |                           |  |     |           |        |  |
| S 8 - DE 18-S | 1800          | 500      | 2   | 950  | 1000 | 100 | 225 | 650 | 6900                      | 7  | 165 | 78        | 295    | 6,3  |
| S 8 - DE 25-S | 2500          | 500      | 2   | 1000 | 1000 | 100 | 225 | 650 | 6900                      | 7  | 170 | 80        | 305    | 6,3  |
| S 8 - DE 28-S | 2800          | 500      | 3   | 1100 | 1100 | 100 | 270 | 705 | 8200                      | 9  | 180 | 88        | 380    | 10,0   |
| S 8 - DE 35-S | 3500          | 500      | 3   | 1100 | 1100 | 100 | 270 | 705 | 8200                      | 9  | 185 | 90        | 390    | 11,8   |
| S 8 - DE 45-S | 4500          | 500      | 3   | 1200 | 1100 | 100 | 270 | 705 | 11500                     | 14                                       | 195 | 95        | 440    | 11,8   |
| S 8 - DE 50-S | 5000          | 600      | 4   | 1200 | 1150 | 100 | 385 | 890 | 14900                     | 15,5                                     | 260 | 125       | 930    | 16,1   |
| S 8 - DE 60-S | 6000          | 600      | 4   | 1200 | 1250 | 150 | 385 | 890 | 17100                     | 18                                       | 265 | 130       | 990    | 16,1   |
| S 8 - DE 80-S | 8000          | 600      | 4   | 1200 | 1300 | 150 | 380 | 910 | 20000                     | 21                                       | 300 | 165       | 1090   | 18,1   |

- Surcharge for foundry version up to DE 45-S
- Surcharge for foundry version from DE 50-S to DE 80-S
- Surcharge for fish-industry version on request
- We recommend forks with reinforced lower hooks
- Surcharge for integral design

### Standard values for residual load capacity of lift trucks\*\*

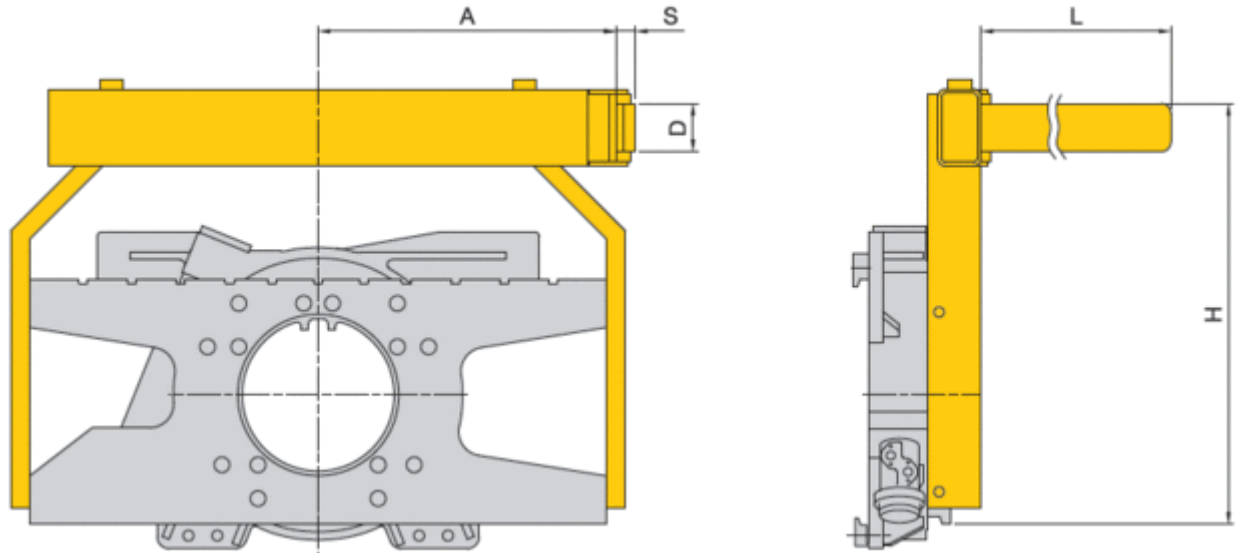
| Rotators      | S 8 - | DE 18-S | DE 18-S | DE 25-S | DE 28-S | DE 35-S | DE 35-S | DE 45-S | DE 45-S  | DE 50-S | DE 50-S | DE 60-S | DE 80-S | DE 80-S |
|---------------|-------|---------|---------|---------|---------|---------|---------|---------|----------|---------|---------|---------|---------|---------|
| Load capacity | kg    | 1500    | 2000    | 2500    | 3000    | 3500    | 4000    | 4500    | 5000/500 | 5000    | 6000    | 7000    | 8000    | 10000   |

|                   |    |      |      |      |      |      |      |      |      |      |      |      |      |      |
|-------------------|----|------|------|------|------|------|------|------|------|------|------|------|------|------|
| X*                | mm | 350  | 450  | 450  | 450  | 500  | 500  | 500  | 500  | 560  | 560  | 650  | 650  | 750  |
| LC (LSP) = 500 mm | kg | 1140 | 1570 | 1980 | 2350 | 2760 | 3185 | 3555 | 3970 |      |      |      |      |      |
| LC (LSP) = 600 mm | kg | 1040 | 1440 | 1820 | 2160 | 2550 | 2940 | 3280 | 3665 | 3650 | 4460 | 5270 | 5900 | 7570 |
| LC (LSP) = 700 mm | kg | 950  | 1330 | 1680 | 2000 | 2360 | 2725 | 3045 | 3400 | 3410 | 4170 | 4950 | 5530 | 7140 |

\*\* The load capacity applies to lifting heights up to 3300 mm; specifications for greater lifting heights on request.

\* Assumed dimensions

### Rotators with Lateral Support Arm (mountable on either side)



- Surcharge for DE 18 - 25, 1000 mm long
- Surcharge for DE 28 - 45, 1000 mm long