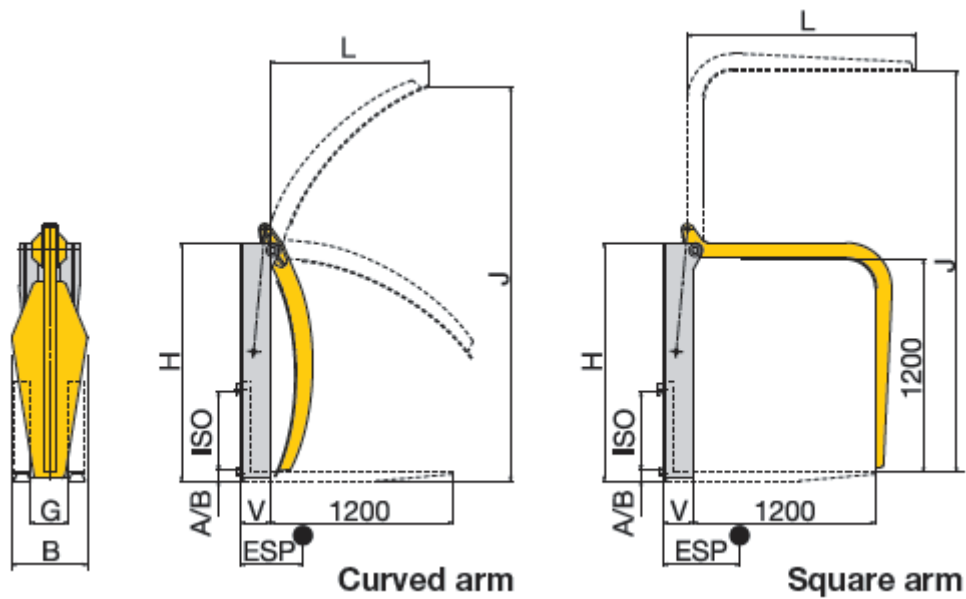


Wood Grapples (Single Arm)

1 hydraulic function

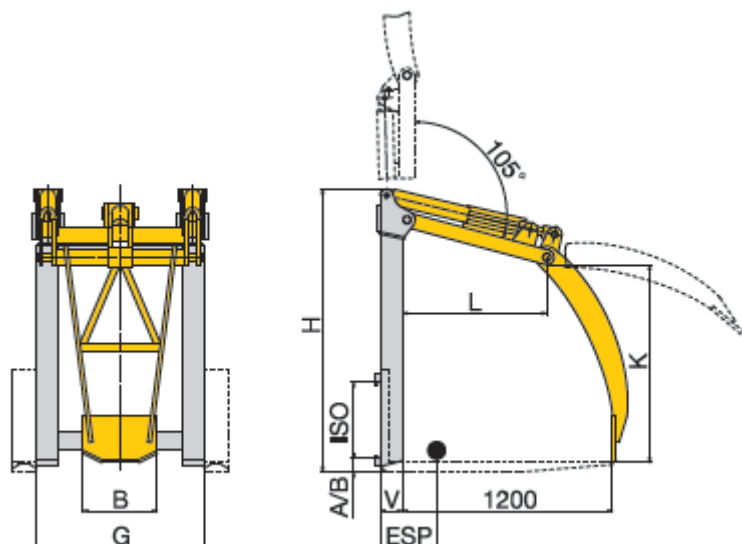


Arm length for fork length 1200 mm

Model	Load capacity	LC (LSP)	ISO	B	G	H	L	J	V	CoG (ESP)	Weight
	kg	mm		mm	mm	mm	mm	mm	mm	mm	kg
With curved arm											
S 21 - HG 25 B	2500	500	2	500	250	1570	1000	2400	195	290	230
S 21 - HG 35 B	3500	500	3	500	250	1570	1000	2400	195	280	260
With square arm											
S 21 - HG 25 R	2500	500	2	500	250	1570	1250	2400	195	310	260
S 21 - HG 35 R	3500	500	3	500	250	1570	1250	2400	195	300	290

Wood Grapples (Double Arm with Knee-Joint)

2 hydraulic functions



Arm length for fork length 1200 mm

Model	Load capacity	LC (LSP)	ISO	B	G	K	L	H	V	CoG (ESP)	Weight
	kg	mm		mm	mm	mm	mm	mm	mm	mm	kg
S 21 - HGD 35	3500	500	3	500	900	1150	830	1610	150	450	520
S 21 - HGD 50	5000	600	4	500	900	1150	830	1610	180	445	750
S 21 - HGD 80	8000	600	4	600	1100	1200	880	1875	220	440	1000

- Surcharge for load pusher on request.