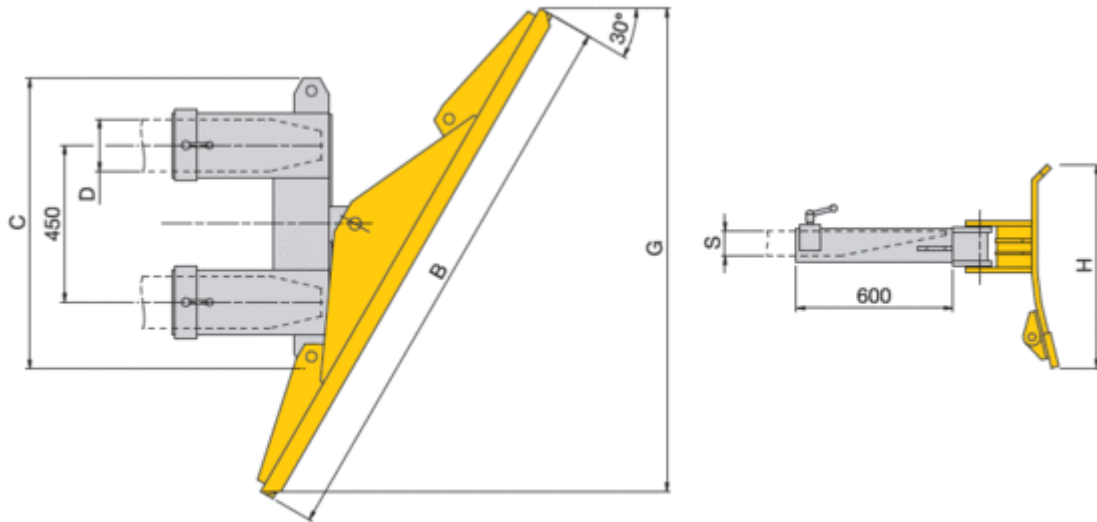


## Snow Plows



Plowing width G should be at least lift truck width + 200 mm

**Snow plow with continuous steel or polyurethane shield trim manual swivel range of 30° to the left and to the right**

Model	B	G	C	D	S	H	Weight
	mm	mm	mm	mm	mm	mm	mm
S 6 - R 160	1600	1400	900	Fork width	Fork thickness	480	150
S 6 - R 200	2000	1700	900	Fork width	Fork thickness	480	180

- Please indicate respective fork cross section when ordering.

**Snow plow with spring-loaded shield trim – wear element steel or polyurethane plates manual swivel range of 30° to the left and to the right**

Model	B	G	C	D	S	H	Weight
	mm	mm	mm	mm	mm	mm	mm
S 6 - RKS 160	1600	1400	900	Fork width	Fork thickness	540	170
S 6 - RKS 200	2000	1700	900	Fork width	Fork thickness	540	210
S 6 - RKS V 280	2800	2400	900	Fork width	Fork thickness	560	330

- Please indicate respective fork cross section when ordering.