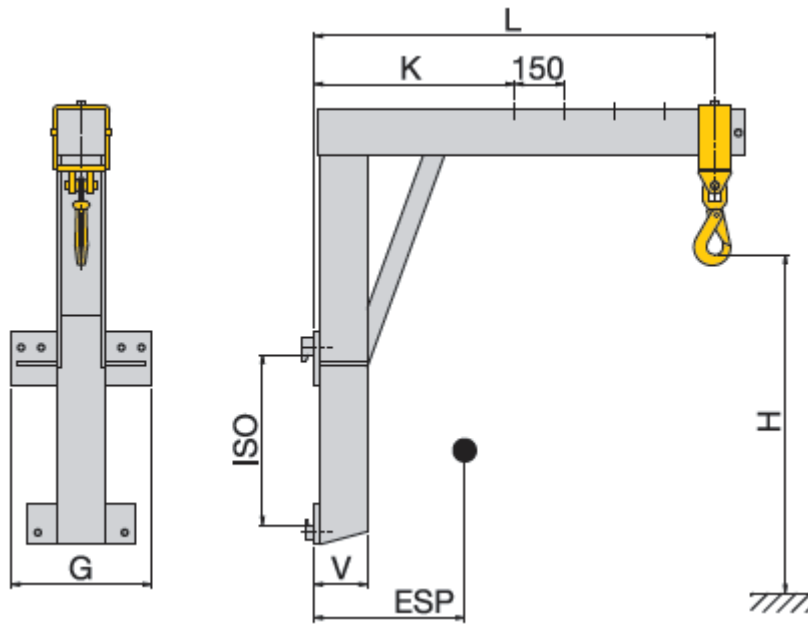


Crane Jibs (Fixed)



Model	Load capacity	LC (LSP)	L	H	ISO	K	G	V	CoG (ESP)	Weight	Add. weight per 100 mm jib length
	kg										
S 3 - KR 15	1500	500	1200	1000	2	450	400	130	310	110	2,7
S 3 - KR 25	2500	500	1200	1000	2	450	420	160	325	130	3,3
S 3 - KR 30	3000	500	1200	1000	3	450	420	160	320	140	3,3
S 3 - KR 40	4000	500	1200	1000	3	450	540	210	370	175	5,0
S 3 - KR 50	5000	600	1200	1200	3/4	600	600	230	330	255	5,2
S 3 - KR 60	6000	600	1200	1200	4	600	650	230	360	285	6,0
S 3 - KR 70	7000	600	1200	1200	4	600	700	250	360	300	6,4
S 3 - KR 80	8000	600	1200	1200	4	600	700	290	380	330	6,8
S 3 - KR 100	10000	600	1200	1200	4	600	850	320	375	490	8,0
S 3 - KR 120	12000	600	1200	1200	Pint.	600	900	340	390	580	8,6
S 3 - KR 150	15000	600	1200	1200	Pint.	600	900	370	400	700	9,6

- Surcharge for QD hooks for quick mounting of the attachment for ISO 2
- Surcharge for QD hooks for quick mounting of the attachment for ISO 3
- Surcharge for QD hooks for quick mounting of the attachment for ISO 4
- Greater hook height (H) on request.
- Hook rotatable under load on request.

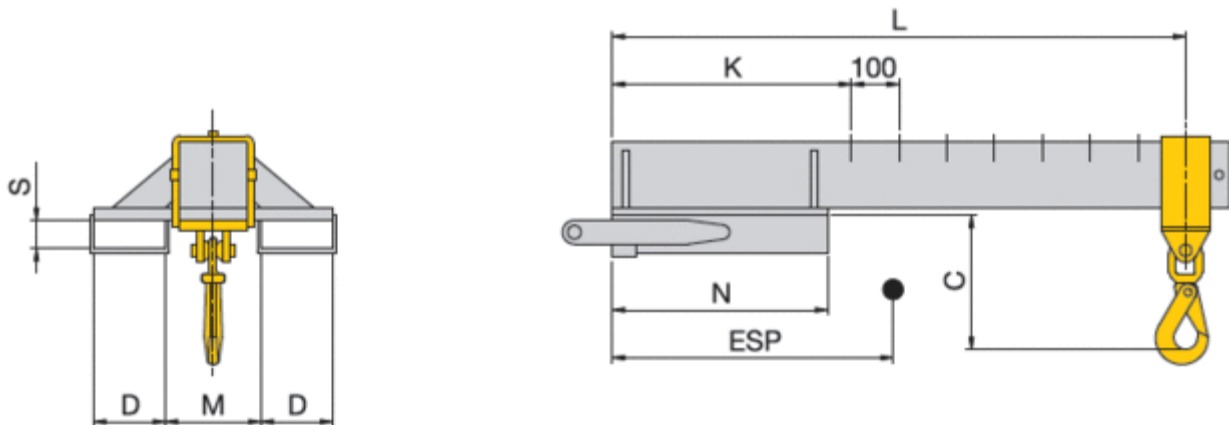
Standard values for residual load capacity of lift trucks**

Crane Jibs	S 3 -	KR 15	KR 15	KR 25	KR 25	KR 30	KR 40	KR 40	KR 50	KR 60	KR 70	KR 80	KR 100	KR 120	KR 150
Load capacity lift truck	kg	1000	1500	2000	2500	3000	3500	4000	5000	6000	7000	8000	10000	12000	15000
X*	mm	300	350	450	450	450	500	500	560	560	650	650	750	850	850
LC (LSP) = 450 mm	kg	950	1400	2000	2500	3000	3500	4000							
LC (LSP) = 600 mm	kg	800	1200	1700	2100	2600	2900	3500	4800	5800	6750	7700	9600	11500	14400
LC (LSP) = 750 mm	kg	700	1100	1450	1850	2250	2500	3100	4250	5100	6000	6900	8600	10400	13000
LC (LSP) = 900 mm	kg	600	950	1300	1650	2000	2250	2750	3800	4600	5400	6200	7800	9400	11900
LC (LSP) = 1050 mm	kg	540	850	1150	1450	1800	2000	2500	3450	4150	4900	5700	7200	8700	11000
LC (LSP) = 1200 mm	kg	480	750	1000	1350	1600	1850	2250	3150	3800	4500	5200	6600	8000	10200

** The load capacity applies to lifting heights up to 3300 mm; specifications for greater lifting heights on request.

* Assumed dimensions

Crane Jibs (Slip-on Type)



Model	Load capacity	LC (LSP)	L	C	K	M	N	CoG (ESP)	Weight	Add. weight per 100 mm add. jib length
	kg									
S 3 - KRSCH 15	1500	500	1200	245	500	230	450	480	75	2,7
S 3 - KRSCH 25	2500	500	1200	310	500	240	450	450	100	3,3
S 3 - KRSCH 30	3000	500	1200	310	500	240	450	460	110	3,5
S 3 - KRSCH 40	4000	500	1200	350	600	260	500	490	138	5,0
S 3 - KRSCH 50	5000	600	1200	350	600	270	500	510	162	5,2
S 3 - KRSCH 60	6000	600	1200	430	600	300	500	510	175	6,0
S 3 - KRSCH 70	7000	600	1200	430	600	370	500	490	190	6,4
S 3 - KRSCH 80	8000	600	1200	440	600	370	500	490	200	6,8

- **Important!** Please indicate fork cross section (D x S) when ordering.
- Greater hook height on request.
- Hook rotatable under load on request.

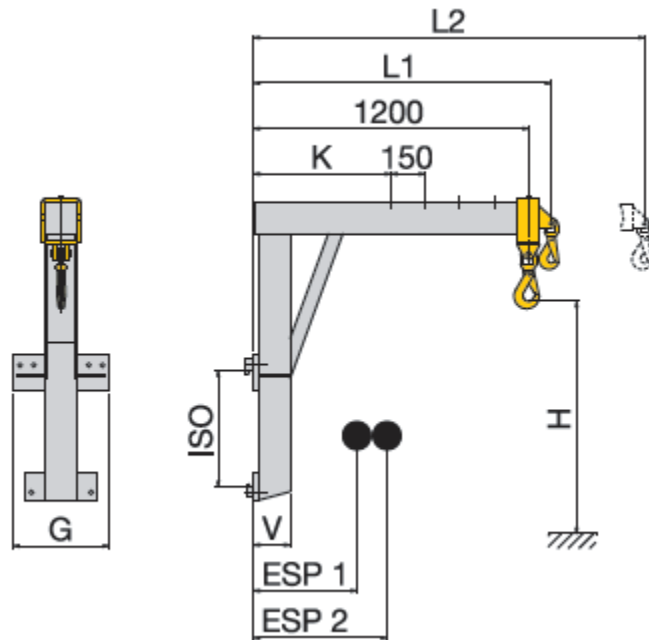
Standard values for residual load capacity of lift trucks**

Crane Jibs	S 3 -	KRSCH 15	KRSCH 15	KRSCH 25	KRSCH 25	KRSCH 30	KRSCH 40	KRSCH 40	KRSCH 50	KRSCH 60	KRSCH 70	KRSCH 80
Load capacity lift truck	kg	1000	1500	2000	2500	3000	3500	4000	5000	6000	7000	8000
X*	mm	300	350	450	450	450	500	500	560	560	650	650
LC (LSP) = 500 mm	kg	950	1400	2000	2500	3000	3500	4000				
LC (LSP) = 600 mm	kg	800	1200	1700	2100	2600	2900	3500	4800	5800	6750	7700
LC (LSP) = 750 mm	kg	700	1100	1450	1850	2250	2500	3100	4250	5100	6000	6900
LC (LSP) = 900 mm	kg	600	950	1300	1650	2000	2250	2750	3800	4600	5400	6200
LC (LSP) = 1050 mm	kg	540	850	1150	1450	1800	2000	2500	3450	4150	4900	5700
LC (LSP) = 1200 mm	kg	480	750	1000	1350	1600	1850	2250	3150	3800	4500	5200

** The load capacity applies to lifting heights up to 3300 mm; specifications for greater lifting heights on request.

* Assumed dimensions

Crane Jibs (Telescopic)



Jib length 1300 - 2200 mm (L1 - L2)

Model	Load capacity	LC (LSP)	H	ISO	K	G	V	CoG 1 (ESP 1)	CoG 2 (ESP 2)	Weight
	kg									
S 3 - KRT 15	1500	500	1000	2	450	400	130	350	540	150
S 3 - KRT 25	2500	500	1000	2	450	420	160	400	635	190
S 3 - KRT 30	3000	500	1000	3	450	420	160	405	650	210
S 3 - KRT 40	4000	500	1000	3	450	540	210	430	700	260
S 3 - KRT 50	5000	600	1200	3/4	600	600	230	390	600	350
S 3 - KRT 60	6000	600	1200	4	600	650	230	400	610	390
S 3 - KRT 70	7000	600	1200	4	600	650	250	410	620	420
S 3 - KRT 80	8000	600	1200	4	600	700	290	430	660	460
S 3 - KRT100	10000	600	1200	4	600	850	320	400	580	580
S 3 - KRT120	12000	600	1200	Pint.	600	900	340	410	600	730
S 3 - KRT150	15000	600	1200	Pint.	600	900	370	400	580	830

- Surcharge for QD hooks for quick mounting of the attachment for ISO 2
- Surcharge for QD hooks for quick mounting of the attachment for ISO 3
- Surcharge for QD hooks for quick mounting of the attachment for ISO 4
- Greater hook height (H) on request.
- Hook rotatable under load on request.
- Telescopic under load on request.

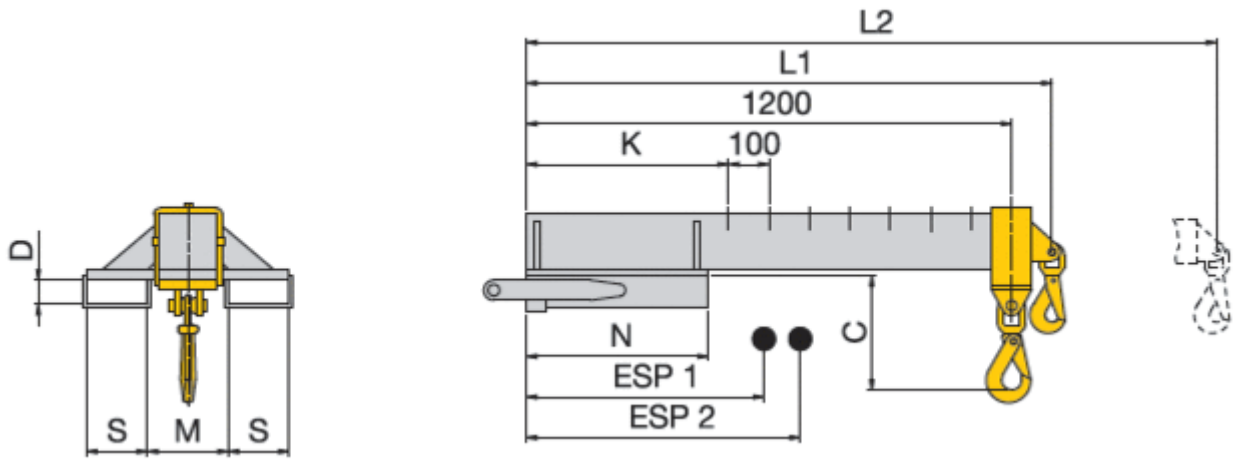
Standard values for residual load capacity of lift trucks**

Crane Jibs	S 3 -	KRT 15	KRT 15	KRT 25	KRT 25	KRT 30	KRT 40	KRT 40	KRT 50	KRT 60	KRT 70	KRT 80	KRT 100	KRT 120	KRT 150
Load capacity lift truck	kg	1000	1500	2000	2500	3000	3500	4000	5000	6000	7000	8000	10000	12000	15000
X*	mm	300	350	450	450	450	500	500	560	560	650	650	750	850	850
LC (LSP) = 600 mm	kg	790	1200	1600	2100	2500	3000	3450	4800	5750	6750	7750	9500	11300	14200
LC (LSP) = 1200 mm	kg	480	760	1000	1300	1600	1900	2250	3200	3800	4500	5250	6550	7900	10100
LC (LSP) = 1300 mm	kg	430	690	960	1200	1500	1800	2100	3000	3600	4250	5100	6200	7500	9600
LC (LSP) = 1900 mm	kg	310	510	710	900	1100	1350	1550	2250	2700	3250	3700	4800	5800	7500
LC (LSP) = 2200 mm	kg	270	450	630	800	980	1200	1400	2000	2100	2850	3300	4300	5200	6700

** The load capacity applies to lifting heights up to 3300 mm; specifications for greater lifting heights on request.

* Assumed dimensions

Crane Jibs (Slip-on, Telescopic Type)



Jib length 1300 - 2200 mm (L1 - L2)

Model	Load capacity	LC (LSP)	C	K	M	N	CoG 1 (ESP 1)	CoG 2 (ESP 2)	Weight
	kg								
S 3 - KRSCHT 15	1500	500	245	500	230	450	540	710	105
S 3 - KRSCHT 25	2500	500	310	500	240	450	580	890	130
S 3 - KRSCHT 30	3000	500	310	500	240	450	600	870	150
S 3 - KRSCHT 40	4000	500	350	600	260	500	590	870	190
S 3 - KRSCHT 50	5000	600	350	600	270	500	600	840	220
S 3 - KRSCHT 60	6000	600	430	600	300	500	610	850	235
S 3 - KRSCHT 70	7000	600	430	600	370	500	610	850	270
S 3 - KRSCHT 80	8000	600	440	600	370	500	610	850	280

- **Important!** Please indicate fork cross section (D x S) when ordering.
- Greater hook height on request.
- Hook rotatable under load on request.

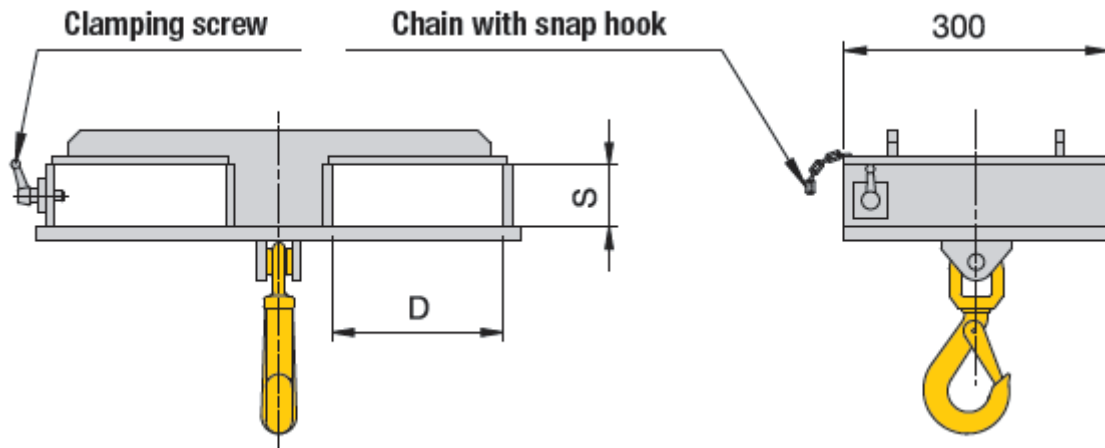
Standard values for residual load capacity of lift trucks**

Crane Jibs	S 3	KRSCHT 15	KRSCHT 15	KRSCHT 25	KRSCHT 25	KRSCHT 30	KRSCHT 40	KRSCHT 40	KRSCHT 50	KRSCHT 60	KRSCHT 70	KRSCHT 80
Load capacity lift truck	kg	1000	1500	2000	2500	3000	3500	4000	5000	6000	7000	8000
X*	mm	300	350	450	450	450	500	500	560	560	650	650
LC (LSP) = 500 mm	kg	940	1500	2000	2450	2950	3450	3950				
LC (LSP) = 600 mm	kg	790	1200	1600	2100	2500	3000	3450	4800	5750	6750	7750
LC (LSP) = 900 mm	kg	590	940	1200	1600	2000	2300	2700	3800	4600	5400	6250
LC (LSP) = 1200 mm	kg	480	760	1000	1300	1600	1900	2250	3200	3800	4500	5250
LC (LSP) = 1300 mm	kg	430	690	960	1200	1500	1800	2100	3000	3600	4250	5100
LC (LSP) = 1900 mm	kg	310	510	710	900	1100	1350	1550	2250	2700	3250	3700
LC (LSP) = 2200 mm	kg	270	450	630	800	980	1200	1400	2000	2100	2850	3300

** The load capacity applies to lifting heights up to 3300 mm; specifications for greater lifting heights on request.

* Assumed dimensions

Crane Hooks



Model	Load capacity	Weight
	kg	kg
S 3 - KT 15	1500	25
S 3 - KT 30	3000	30
S 3 - KT 50	5000	50

- **Important!** Please indicate fork cross section (D x S) when ordering.
- Consider load capacity or residual load capacity of the forklift in case of greater load center!
- Hook rotatable under load on request.